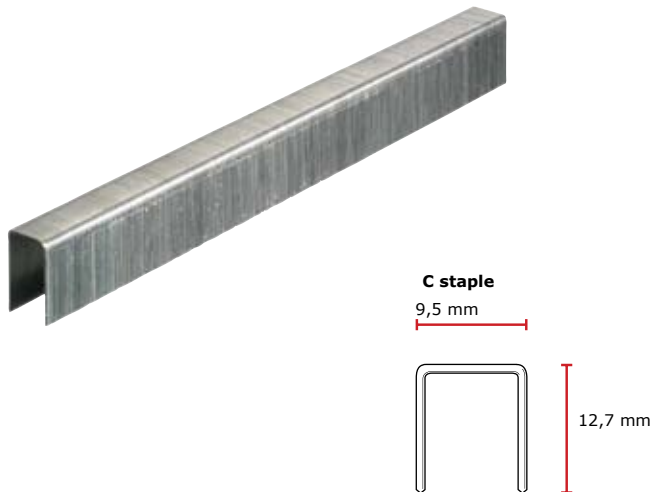
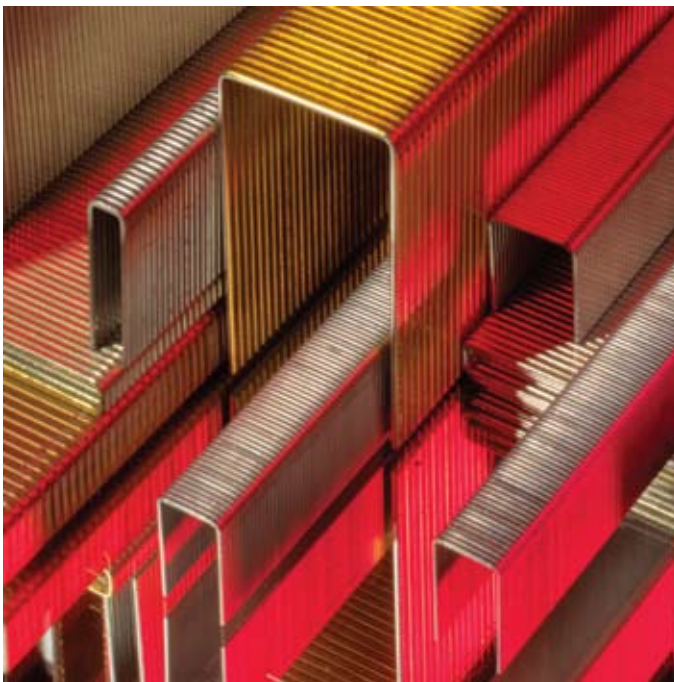


**C staple galvanized, bulk****Applications**

Furniture upholstery, felt, insulation, casebacks, screening and shoes

**Technical specifications**

Staple-leg length nominal	12,7 mm
Staple-leg length min max	12,52 - 12,88 mm
Staple-leg length diff	0,25 mm
Staple-crown width nominal	9,5 mm
Staple-width	0,75 mm
Staple-inside width	7,7 mm
Staple-wire size	0,675 mm
Staple-thickness	0,54 mm
Staple-cross walk tol.	0,33 mm
Pointangle (nominal)	90°
Point type	Chisel
Max. strip length	137,38 mm
Collation type 1	Glue collated
Collation angle	0°
Gauge	22 ga.
Wire material	Regular galvanized standard tensile
Finish	Plain



**SENCO**<sup>®</sup>MAKING HARD WORK  
**EASIER****C08BAAP****C staple galvanized, bulk****Logistic specifications****Primary packaging**

Primary packaging	Box
Quantity in primary packaging	35000
GTIN (Base unit of measure)	8715274002941
Gross weight	3,045 kg